

Panasonic

ideas for life



Network Security Color Camera WV-NP244

Lens : optional



MPEG-4 & JPEG Dual Stream. Plus, PoE (Power over Ethernet) for Easy Installation.

Panasonic introduces the new WV-NP244 network camera that is both MPEG-4 and JPEG dual stream compatible. MPEG-4 makes viewing video smooth and seamless, and is multicast/unicast switchable to fit your application. When using JPEG, 640 x 480 (VGA) images can be transmitted at up to 30 fps. Plus, with progressive scan in both MPEG-4 and JPEG modes, images of moving subjects are captured in high fidelity. With the optional F1.2 lens, these cameras operate in lighting as low as 1.1 lux (0.11 fc). In addition electronic sensitivity can be increased up to 16 times, while a 3x digital zoom allows you to view subjects' up-close. A built-in high sensitivity microphone with on/off functionality provides clear audio capabilities.

The WV-NP244 is equipped with PoE (Power over Ethernet) IEEE802.3af, allowing power and signals to be transmitted over the same cable, thus eliminating the need to install a separate power source for each camera. This feature makes installation as simple as plugging the cable into the HUB. Using the multi screen display mode, up to 8 cameras can be monitored from a single browser. The digital motion detector feature transmits an alarm signal when moving subjects enter the scene. When combined with the optional Network Disk Recorder; WJ-ND300, these cameras make it incredibly easy to construct an automatic video surveillance system. Plus, the SD memory card slot allows you to back up images on an SD memory card in case of network failure.

So handy and so reliable, the WV-NP244 is ideal for an endless variety of networked surveillance applications.

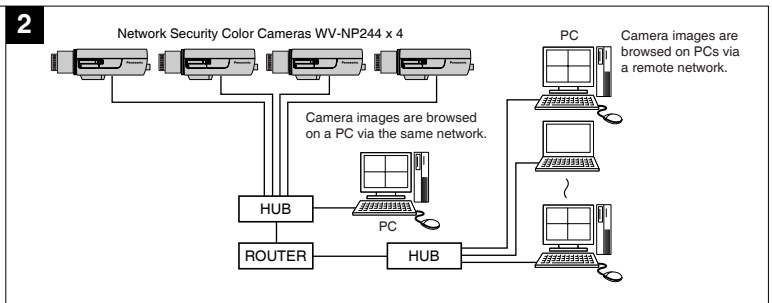
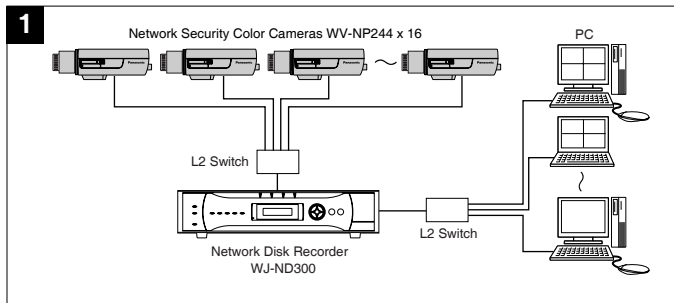
KEY FEATURES

- Built-in MPEG-4 and JPEG digital signal output at VGA image size with up to 30 fps.
- Also MPEG-4/JPEG dual stream output for simultaneous live monitoring and high resolution recording. (See the Frame Rate Chart for details).
- Power over Ethernet (PoE) IEEE 802.3af.
- Progressive scan type CCD image sensor.
- Internet Protocol: TCP/IP, UDP/IP, HTTP, FTP, SMTP, DHCP, DNS, DDNS, NTP and SNMP.
- Image refresh rate: 0.1 fps - 30 fps
- Bandwidth control: 64 / 128 / 256 / 512 / 1,024 / 2,048 / 4,096 kbps and unlimited.
- Built-in network interface (10Base-T / 100Base-TX) for remote monitoring by PC.
- Sensitivity of 1.1 lux (0.11 fc) at F1.2 optional lens.
- Built-in SD Memory card slot for FTP backup.
- Multi screen display (4 screens x 2 groups).
- Built-in Alarm function for external security devices.
- Built-in digital motion detector.
- Built-in electronic zoom function (1x, 1.5x, 2x, 2.5x and 3x).
- Automatic electronic sensitivity enhancement.
- Built-in microphone (G.726).

1/3-type Variable Focal Lenses (optional)



SYSTEM EXAMPLES



SPECIFICATIONS

Model No.	WV-NP244	
Pick Up Device	Progressive scan type CCD image sensor	
Scanning Area	5.79 (H) x 4.89 (V) mm	
Video Output	VBS 1.0 V [p-p] / 75 Ω, composite signal, 3.5 mm mini jack	
Minimum Illumination	1.1 lux (0.11 fc) color imaging at optional F1.2 lens 1.5 lux (0.15 fc) color imaging at optional F1.4 lens	
ALC Lens Drive	DC servo	
Lens Mount	CS-mount	
AGC	ON (always)	
Electronic Shutter	AUTO	
Electronic Sensitivity Up	OFF, AUTO (2x, 4x, 6x, 8x and 16x)	
White Balance	Auto / Hold	
Electronic Zoom	1x, 1.5x, 2x, 2.5x and 3x	
Motion Detector	ON / OFF	
SD Memory Card (optional)	64MB, 128MB, 256MB, 512MB and 1GB by Panasonic SD Memory Card	
FTP Client	Alarm image transfer, FTP periodic transfer	
Multi Screen	8 screens (4 screens x 2 groups)	
External Input Terminals	Alarm input/output, AUX output	
Network Section		
Network	10Base-T / 100Base-TX, RJ45 connector	
Image Resolution	JPEG	VGA (640 x 480), QVGA (320 x 240) max. 30 fps
	MPEG-4	VGA (640 x 480), QVGA (320 x 240) max. 30 fps
Image Compression	JPEG	10 level adjustment, Pull/Push mode
	MPEG-4	(Image Quality / Normal / Moving Image) selectable, unicast / multicast
Image Refresh Rate	0.1 fps ~ 30 fps	
Traffic Control	64 / 128 / 256 / 512 / 1,024 / 2,048 / 4,096 kbps and unlimited	
Internet Protocol	TCP/IP, UDP/IP, HTTP, FTP, SMTP, DHCP, DNS, DDNS, NTP and SNMP	
OS	Windows 2000 Professional SP4, Windows XP Home / Professional SP2	
Applicable Browser	Internet Explorer 6.0 Service Pack2	
Ambient Operating Temperature	-10 °C ~ +50 °C (14 °F ~ 122 °F)	
Ambient Operating Humidity	Less than 90 %	
Power over Ethernet	Yes (IEEE802.3af)	
Power Supply	24 V AC 60 Hz, 12 V DC or PoE (48 V DC)	
Power Consumption (approx.)	4.8 W (24 V AC 60 Hz, 12 V DC), 4.2 W (PoE)	
Dimensions (W x H x D)	72 x 65 x 158 mm (2-13/16" x 2-9/16" x 6-1/4")	
Weight (approx.)	450 g (0.99 lbs.)	

Frame Rate Chart

JPEG		Image Settings									
Image Resolution	Mode	0 Super Fine	1 Fine	2	3	4	5 Normal	6	7	8	9 Low
VGA (640 x 480)	Image Size (KB)	128	96	80	64	56	48	40	32	28	24
	Frame Rate (fps)	10	14	17	21	24	30	30	30	30	30
	Frame Rate (Mbps)	10.2	10.8	10.9	10.8	10.8	11.5	9.6	7.7	6.7	5.8
QVGA (320 x 240)	Image Size (KB)	44	40	36	32	28	24	20	16	14	12
	Frame Rate (fps)	26	28	30	30	30	30	30	30	30	30
	Frame Rate (Mbps)	9.2	9.0	8.6	7.7	6.7	5.8	4.8	3.8	3.4	2.9

MPEG-4		MPEG-4 Bit Rate Settings								
Image Resolution	Mode	4,096 kbps	3,072 kbps	2,048 kbps	1,536 kbps	1,024 kbps	512 kbps	256 kbps	128 kbps	64 kbps
VGA (640 x 480)	Low	30	30	30	25	22	10	5	2	1
	Normal	30	30	30	22	14	8	3	1	0.4
	Fine	27	22	19	13	9	4	1.5	0.5	0.2
QVGA (320 x 240)	Low	30	30	30	30	30	28	24	10	4
	Normal	30	30	30	29	28	24	12	4	1.5
	Fine	30	28	28	28	27	12	5	2	0.5

(above figures are approximate, actual figures may differ depending on the network under the conditions.)

Important – Safety Precaution: carefully read the operating instructions and installation manual before using this product.

– Panasonic can not be responsible for network performance and/or other manufacturer products that reside on the network.

• Microsoft, Windows and WindowsXP are registered trademarks of Microsoft Corporation.

• All TV pictures are simulated. • Weights and dimensions are approximate. • Specifications are subject to change without notice. • These products may be subject to export control regulations.

Panasonic

Panasonic System Solutions Company

Matsushita Electric Industrial Co.,Ltd.

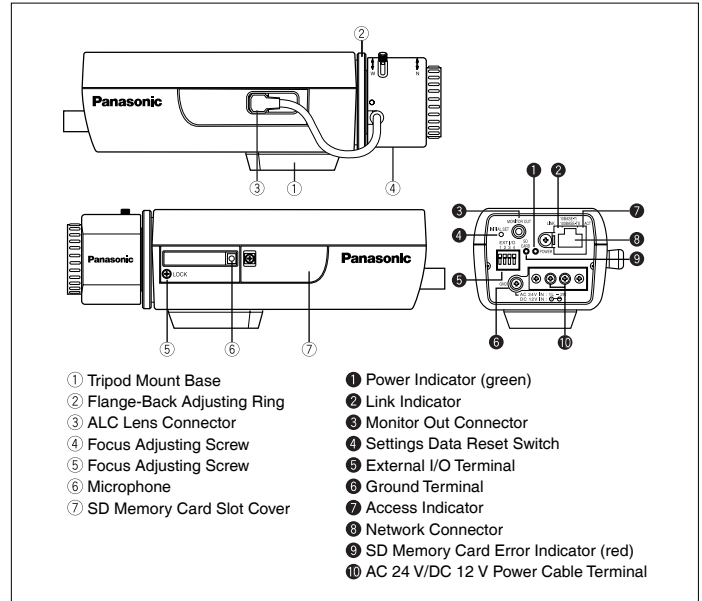
Website : <http://panasonic.co.jp/pss/cctv/en/index.html>

4-3-1, Tsunashima-higashi, kohoku-ku, Yokohama, 223-8639, Japan

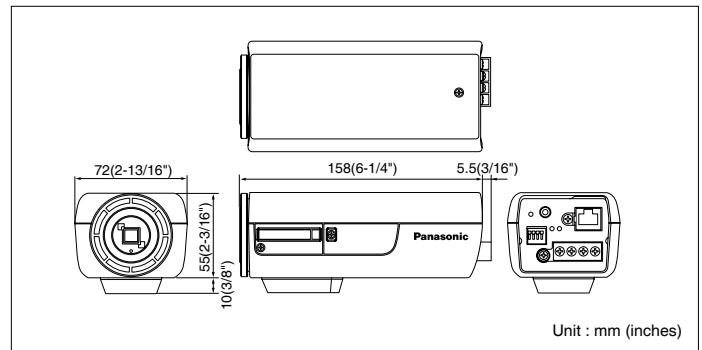
Tel : 81(0)45-540-5769

Fax : 81(0)45-540-5773

MAJOR OPERATING CONTROLS & TERMINALS



APPEARANCE



OPTIONAL COMPONENT



DISTRIBUTED BY:

